

# CP-AW250NM

# ULTIMATE 究極 SHORT THROW



## ULTIMATE SHORT THROW WXGA LCD PROJECTOR

The perfect balance of technology and design. The light weight and compact CP-AW250NM Ultimate Short Throw projector offers the highest quality images with a compelling design and low cost of ownership. This network model ensures easy management while the new bundled wall mount makes installation quick and easy.

### Performance

- WXGA resolution (1280 x 800)
- 80" (2m) image from only 53cm\*
- 2500 ANSI Lumens (Normal mode)
- Full connectivity including HDMI
- Perfect Fit – adjust all four corners and sides of the image individually to achieve a square image
- Input Source Naming
- My Button
- 10W speaker
- Anti Theft features including:
  - PIN-Lock
  - MyScreen Lock
  - Transition Detector
  - Security bar

### Cost of ownership

- Extended Hybrid Filter life – 5000 hour cleaning cycle
- Extended lamp life – 5000 hours in Eco Mode
- Virtually maintenance free
- Easy setup and installation
- Wall mount included in the box

### Advanced Network Features

- Full connectivity including 1 x RJ-45
- Configure and control projector via network with a web browser
- Projector management via SNMP
- Content via LAN
- AMX Device Discovery
- Messenger
- PJ Link™
- Network Bridge

### Environment



- The extended Hybrid Filter life means reduced electronic waste and reduced maintenance visits, resulting in an overall reduction in carbon footprint

*Hitachi have formulated an "Environmental Vision" to contribute towards building a sustainable society through business and product development.*

*Our goal is to develop life-enhancing technology that will contribute to and realise a truly sustainable society for current and future generations.*

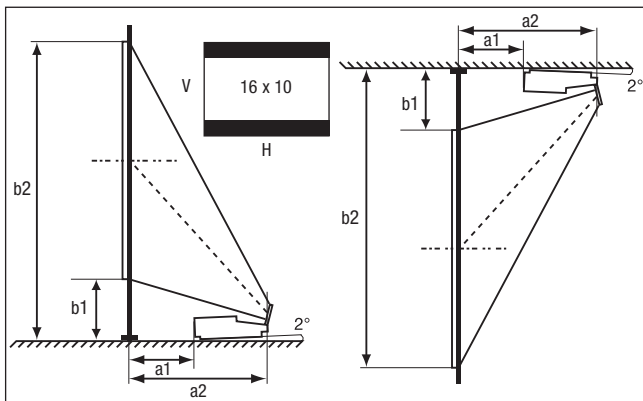
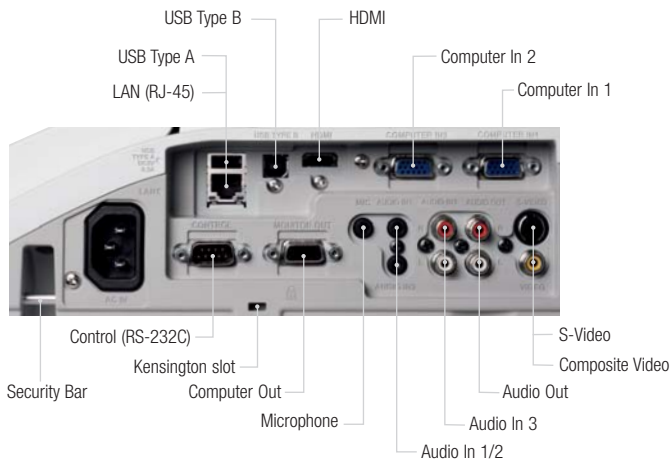
\*from centre of mirror to screen



[www.hitachidigitalmedia.com](http://www.hitachidigitalmedia.com)

**HITACHI**  
Inspire the Next

# CP-AW250NM Technical specifications



Throw distance (from the top of the lens)

| Screen size (diagonal) | H x V |     | a1    | a2    | b1    | b2    |
|------------------------|-------|-----|-------|-------|-------|-------|
|                        | (m)   | (m) |       |       |       |       |
| 60" (1.5m)             | 1.3   | 0.8 | 0.120 | 0.396 | 0.295 | 1.102 |
| 70" (1.8m)             | 1.5   | 0.9 | 0.188 | 0.464 | 0.332 | 1.274 |
| 80" (2.0m)             | 1.7   | 1.1 | 0.256 | 0.532 | 0.369 | 1.446 |
| 90" (2.3m)             | 1.9   | 1.2 | 0.324 | 0.601 | 0.407 | 1.618 |
| 100" (2.5m)            | 2.2   | 1.3 | 0.392 | 0.669 | 0.444 | 1.791 |

## OPTICAL

|                              |   |
|------------------------------|---|
| LCD Panel                    | 0.59" (1.5cm) P-Si TFT x3                         |
| Resolution                   | WXGA (1280 x 800)                                 |
| Brightness                   | Normal Mode                                       |
|                              | Eco Mode  |
| Colour light output          | 2500 ANSI Lumens                                  |
| Contrast Ratio               | 1700 ANSI Lumens                                  |
| Lens                         | 2500 ANSI Lumens                                  |
| Lamp Wattage                 | Free shaped lens and motorised free shaped mirror |
| Lamp Life                    | 210W (UHP)  |
| Distance to Width Ratio (:1) | 3000 Hours (Normal Mode)/5000 Hours (Eco Mode)*   |
| Diagonal Display Size        | 0.3:1 (fixed)                                     |
| Number of Colour             | 60"-100" (152-254cm)                              |
| Keystone                     | 8 Bit/colour, 16.7M colours                       |
|                              | Fixed, 5.2:-1 upward shift                        |

## COMPATIBILITY

|                        |   |
|------------------------|---|
| Computer Compatibility | IBM Compatible VGA, SVGA, XGA, WXGA, WXGA+, SXGA, WSXGA+, UXGA, MAC 16"   |
| Video Compatibility    | NTSC/PAL/SECAM/PAL-M/PAL-N/NTSC4.43<br>SDTV: 525i(480i), 525p(480p), 625i(576i)<br>HDTV: 750p (720p@60Hz), 1125i(1080i@50/60Hz), 1125p(1080p@50/60Hz) |
| Plug & Play            | DCC2B   |

## FEATURES

|                        |  |
|------------------------|--|
| Speakers               | 10W Mono   |
| Basic functions        | Freeze, Magnifying, Blank, Auto adjustment, Search   |
| Picture adjustments    | Equalizing Gamma Correction, 2-3 pull down, Progressive Scan, Noise Reduction, Perfect Fit   |
| Digital keystone       | Manual Vertical Keystone correction, Manual Horizontal Keystone correction   |
| Advanced features      | MyScreen, My Memory, My Button, blackboard/whiteboard mode, Daytime mode, input source naming (English), resolution setting, Template, Saving mode, AudioPass through, My Text   |
| Outward Power on & off | Easy Lamp replace from Top, Rear intake air filter   |
| Security systems       | Quick ON, Direct ON, Direct Off<br>PIN-Lock, MyScreen PIN-Lock, Keypad Lock, Kensington slot, Transition Detector, Security bar  |
| Network                | Configure and control projector via web browser, receive alerts via e-mail, projector management via SNMP, Scheduling, My Image, displaying text data transferred via the network, Command Control via network, AMX Device Discovery, Messenger, PJ Link™, Network Bridge, content via LAN                                 |
| OSD Languages          | English, French, German, Spanish, Italian, Norwegian, Dutch, Japanese, Portuguese, Simplified Chinese, Traditional Chinese, Korean, Swedish, Russian, Finnish, Polish, Turkish, Arabian, Persian, Czech, Danish, Hungarian, Romanian, Slovenian, Croatian, Greek, Lithuanian, Estonian, Latvian, Thai, Portuguese (Brazil) |

## CONNECTIONS

|                 |  |
|-----------------|--|
| Digital Input   | 1 x HDMI   |
| Computer Input  | 2 x 15-pin Mini D-sub  |
| Computer Output | 1 x 15-pin Mini D-sub  |
| Video Input     | 1 x RCA Jack (for composite)<br>1 x S-Video Jack<br>2 x Component D-sub (shared with analogue RGB) |
| Audio Input     | 2 x Stereo Mini Jack<br>1 x pair RCA (L/R)<br>1 x Microphone Jack                                  |
| Audio Output    | 1 x pair RCA (L/R)   |
| Control         | 1 x 9-pin D-sub for RS232 control  |
| USB             | 1 x USB type A for PC-less presentation<br>1 x USB type B for mouse control                        |
| Wired network   | 1 x RJ-45  |

## POWER

|                              |                                     |
|------------------------------|-------------------------------------|
| Power Supply                 | AC100-120V/220-240V, auto switching |
| Power Consumption            | 300 W                               |
| Power Consumption in Standby | <0.3W                               |

## PHYSICAL

|                        |  |
|------------------------|--|
| Dimensions (W x H x D) | 345 x 85 x 303mm (excluding feet and extrusions when mirror is closed) |
| Weight                 | 3.8Kg  |
| Noise Level            | 35dB (Normal)/29dB (Eco)   |
| Air Filter             | Hybrid   |

## MISCELLANEOUS

Lamp indicator light, Power light, Ceiling mount image, Rear projection image, Serial number label on side

## CERTIFICATION

\*UL60950-1/C-UL, FCC Part 15 Class A, CE, AS/NZS CISPR22 Class A

## ACCESSORIES SUPPLIED

Remote control with batteries, RGB cable, power cord, cable cover, security label, user manual (detail & concise), Wall mount (HAS-K250)

## OPTIONAL ACCESSORIES

|                              |         |
|------------------------------|---------|
| Replacement lamp             | DT01181 |
| Laser pointer remote control | RC-R008 |

## WARRANTY

|                    |            |
|--------------------|------------|
| Projector warranty | 3 Years    |
| Lamp warranty      | 6 Months** |



HITACHI DIGITAL MEDIA, Hitachi Europe Ltd, Whitebrook Park, Lower Cookham Road, Maidenhead, Berkshire SL6 8YA UNITED KINGDOM  
Tel: +44 (0)1628 585 000 Fax: +44 (0)1628 585 500 www.hitachidigitalmedia.com

\*The stated lamp life refers to the average life expected in ideal operating conditions with usage in accordance with the manual. The majority of, but not all lamps should achieve this figure. \*\*A free replacement lamp will be issued if the original lamp fails within 6 months from the date of purchase. The "HD ready" Logo is a trademark of EICTA. HDMI, the HDMI logo and High-Definition Multimedia Interface are trademarks or registered trademarks of HDMI Licensing LLC. The specification above and photography is for reference only and may be subject to change.