



PLANTRONICS ELECTRONIC HOOK SWITCH GUIDE

CONTENTS

Aastra	03
Aastra DeTeWe	04
Agfeo	05
Alcatel Lucent	06
Auerswald	07
Cisco	08
Funkwerk	09
Polycom	10
Siemens (OptiPoint)	11
Siemens (Openstage)	12
Snom	13
T Systems (Octophon)	14
T Systems	15
Tiptel	16

ELECTRONIC HOOK SWITCH

DESKPHONES

Intelligate

60IP	5370
70IP	5380
80IP	5370IP
70	5380IP
80	



Savi Office

Order Information



Savi™ Office
Designed for seamless communication
 Next generation of wireless headsets to maximise collaboration through multiple devices.
79957-02 (over-the-ear)
79956-02 (convertible)

* Over-the-ear wearing style available Autumn 2009.

REMOTE CALL ANSWERING

Automatically answer a call by pressing a button on the headset.

37818-01
APS-10



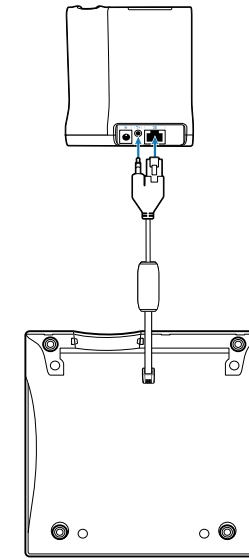
A mechanical headset lifter (HL10™) is available for other telephone models.

60961-31
HL10

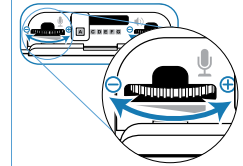
HL10 = Handset lifter



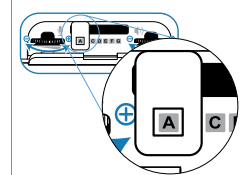
Set Up Information



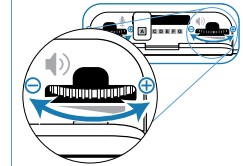
Set desk phone speaking volume to 3



Configuration switch



Set desk phone listening volume to 2



CS60/CS70N/Voyager 510S/SupraPlus Wireless

Order Information



Plantronics Voyager™ 510 System

Office and Mobile phone usage

Use one headset for calls both in and out of the office with a noise cancelling microphone.

Bluetooth



72272-04 NC with WindSmart™



CS70N™ Wireless

Stylish and discreet
 Combining the excellent sound quality and range of DECT™ with the design edge of a mobile headset.

39448-01 NC

39449-01 NC with HL10



CS60™ Wireless

Flexible, cost effective and convenient

Cost-effective wireless headset with a choice of wearing styles.

36995-10 NC

39159-11 NC with HL10



SupraPlus® Wireless

All-day wearing comfort
 For intensive phone users – the ultimate comfort and sound quality.

39986-01 Monaural NC

39261-01 Binaural NC

39987-01 Monaural NC with HL10

39263-01 Binaural NC with HL10



REMOTE CALL ANSWERING

Requires following EHS solution to automatically answer a call by pressing a button on the headset.



38347-01 APS-1

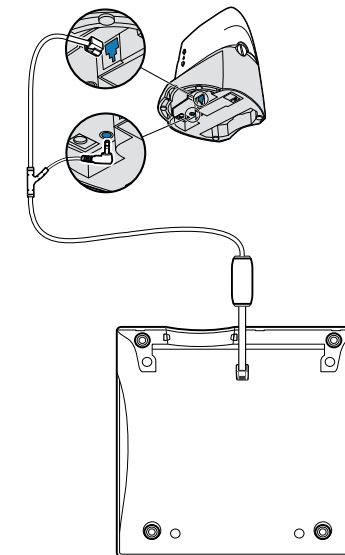
A mechanical headset lifter (HL10™) is available for other telephone models.

HL10 = Handset lifter

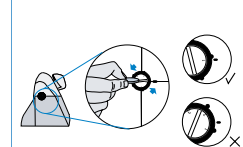


36390-14 HL10

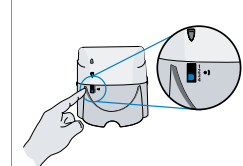
Set Up Information



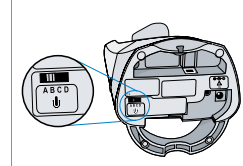
Set rotary switch to 1



Set rear slide switch to 3



Set bottom slide switch to B



ELECTRONIC HOOK SWITCH

DESKPHONES

OpenCom

6771	71
6773	73
6775	75
6773IP	73IP
6775I	75IP



Savi Office

Order Information



Savi™ Office
Designed for seamless communication
Next generation of wireless headsets to maximise collaboration through multiple devices.

79957-02 (over-the-ear)

79956-02 (convertible)

* Over-the-ear wearing style available Autumn 2009.

REMOTE CALL ANSWERING

Automatically answer a call by pressing a button on the headset.

37818-01
APS-10



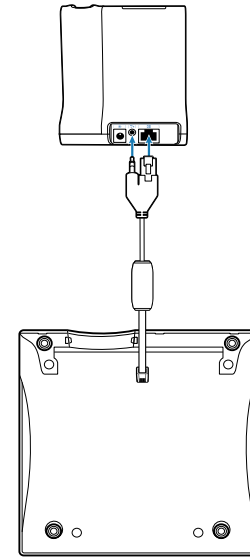
A mechanical headset lifter (HL10™) is available for other telephone models.

60961-31
HL10

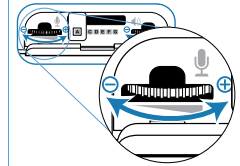
HL10 =
Handset lifter



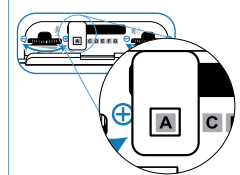
Set Up Information



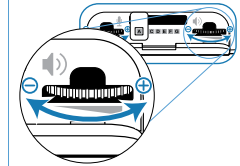
Set desk phone speaking volume to 3



Configuration switch



Set desk phone listening volume to 3



CS60/CS70N/Voyager 510S/SupraPlus Wireless

Order Information



Plantronics Voyager™ 510 System

Office and Mobile phone usage

Use one headset for calls both in and out of the office with a noise cancelling microphone.

Bluetooth



72272-04 NC with WindSmart™



CS70N™ Wireless

Stylish and discreet
Combining the excellent sound quality and range of DECT™ with the design edge of a mobile headset.

39448-01 NC

39449-01 NC with HL10



CS60™ Wireless

Flexible, cost effective and convenient

Cost-effective wireless headset with a choice of wearing styles.

36995-10 NC

39159-11 NC with HL10



SupraPlus® Wireless

All-day wearing comfort
For intensive phone users – the ultimate comfort and sound quality.

39986-01 Monaural NC

39261-01 Binaural NC

39987-01 Monaural NC with HL10

39263-01 Binaural NC with HL10



REMOTE CALL ANSWERING

Requires following EHS solution to automatically answer a call by pressing a button on the headset.



38347-01 APS-1

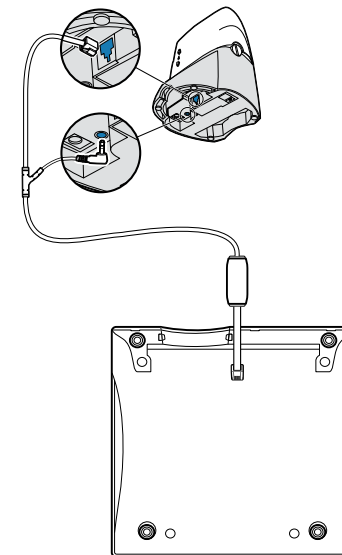
A mechanical headset lifter (HL10™) is available for other telephone models.

HL10 = Handset lifter

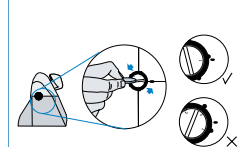


36390-14 HL10

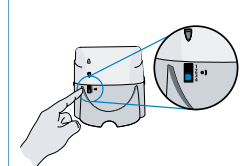
Set Up Information



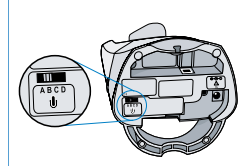
Set rotary switch to 1



Set rear slide switch to 3



Set bottom slide switch to B



AGFEO

einfach | perfekt | kommunizieren

ELECTRONIC HOOK SWITCH

DESKPHONES

Agfeo
ST40
ST31



Savi Office

Order Information



Savi™ Office
Designed for seamless communication
Next generation of wireless headsets to maximise collaboration through multiple devices.
79957-02 (over-the-ear)
79956-02 (convertible)

* Over-the-ear wearing style available Autumn 2009.

REMOTE CALL ANSWERING

Automatically answer a call by pressing a button on the headset.

37818-01
APS-10



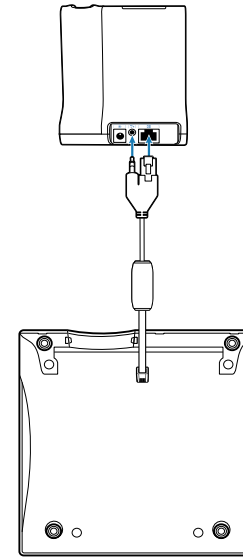
A mechanical headset lifter (HL10™) is available for other telephone models.

60961-31
HL10

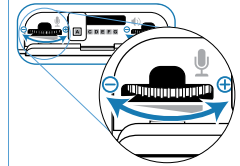
HL10 =
Handset lifter



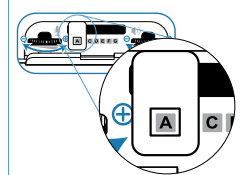
Set Up Information



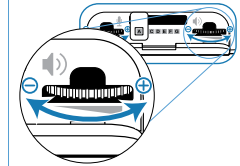
Set desk phone speaking volume to 3



Configuration switch



Set desk phone listening volume to 2



CS60/CS70N/Voyager 510S/SupraPlus Wireless

Order Information



Plantronics Voyager™ 510 System

Office and Mobile phone usage

Use one headset for calls both in and out of the office with a noise cancelling microphone.

Bluetooth



72272-04 NC with WindSmart™



CS70N™ Wireless

Stylish and discreet

Combining the excellent sound quality and range of DECT™ with the design edge of a mobile headset.

39448-01 NC

39449-01 NC with HL10



CS60™ Wireless

Flexible, cost effective and convenient

Cost-effective wireless headset with a choice of wearing styles.

36995-10 NC

39159-11 NC with HL10



SupraPlus® Wireless

All-day wearing comfort

For intensive phone users – the ultimate comfort and sound quality.

39986-01 Monaural NC

39261-01 Binaural NC

39987-01 Monaural NC with HL10

39263-01 Binaural NC with HL10



REMOTE CALL ANSWERING

Requires following EHS solution to automatically answer a call by pressing a button on the headset.



38347-01 APS-1

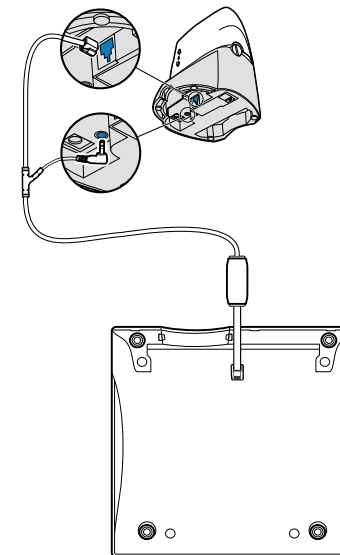
A mechanical headset lifter (HL10™) is available for other telephone models.

HL10 = Handset lifter

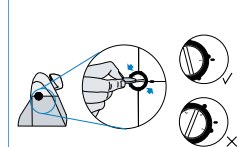


36390-14 HL10

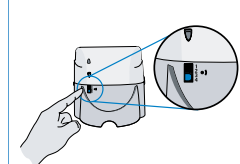
Set Up Information



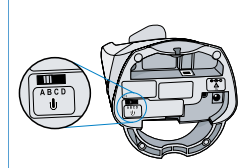
Set rotary switch to 1



Set rear slide switch to 3



Set bottom slide switch to B



ELECTRONIC HOOK SWITCH

DESKPHONES

IP Touch 8 Series

4068
4028
4038

9 Series TDM

4039
4029



Savi Office

Order Information



Savi™ Office 
Designed for seamless communication
Next generation of wireless headsets to maximise collaboration through multiple devices.

79957-02 (over-the-ear)

79956-02 (convertible)

* Over-the-ear wearing style available Autumn 2009.

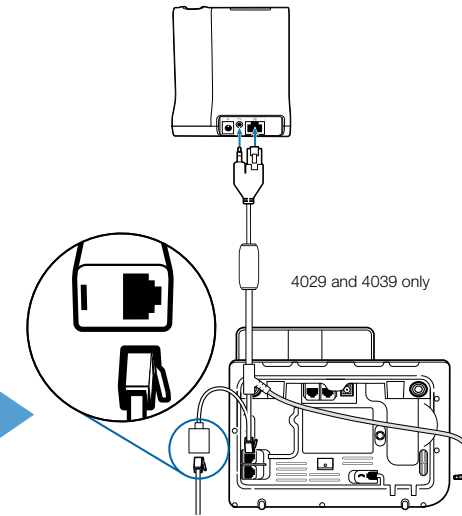
REMOTE CALL ANSWERING

Requires following EHS solution to automatically answer a call by pressing a button on the headset.

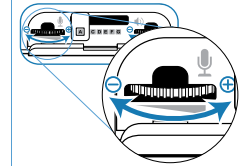


37819-01 APA-20

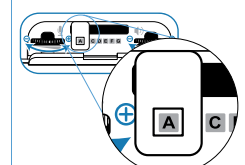
Set Up Information



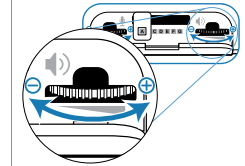
Set desk phone speaking volume to 3



Configuration switch



Set desk phone listening volume to 3



CS60X

Order Information



CS60X™

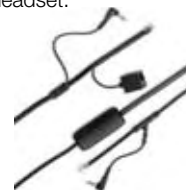
Flexible, cost effective and convenient

Cost-effective wireless headset with great range and sound quality and a choice of wearing styles.

38516-11 Noise-Cancelling with APA-2 Bundle 

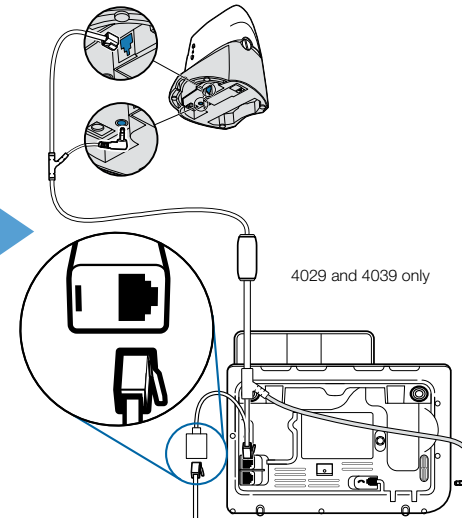
REMOTE CALL ANSWERING

Requires following EHS solution to automatically answer a call by pressing a button on the headset.

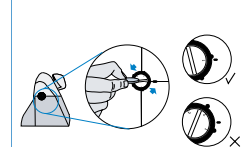


38516-01 APA-2

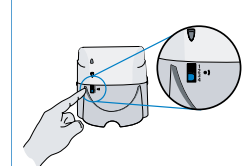
Set Up Information



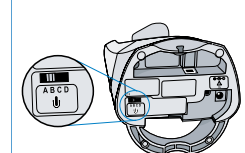
Set rotary switch to 1



Set rear slide switch to 3



Set bottom slide switch to B



ELECTRONIC HOOK SWITCH

DESKPHONES

COMfort
COMfortel 2500



CS60/CS70N/Voyager 510S/SupraPlus Wireless

Order Information



Plantronics Voyager™ 510 System

Office and Mobile phone usage

Use one headset for calls both in and out of the office with a noise cancelling microphone.

Bluetooth



72272-04 NC with WindSmart™



CS70N™ Wireless

Stylish and discreet
Combining the excellent sound quality and range of DECT™ with the design edge of a mobile headset.



39448-01 NC
39449-01 NC with HL10



CS60™ Wireless

Flexible, cost effective and convenient

Cost-effective wireless headset with a choice of wearing styles.



36995-10 NC
39159-11 NC with HL10



SupraPlus® Wireless

All-day wearing comfort
For intensive phone users – the ultimate comfort and sound quality.



39986-01 Monaural NC
39261-01 Binaural NC
39987-01 Monaural NC with HL10
39263-01 Binaural NC with HL10

Savi Office

Order Information



Savi™ Office

Designed for seamless communication
Next generation of wireless headsets to maximise collaboration through multiple devices.

79957-02 (over-the-ear)

79956-02 (convertible)

* Over-the-ear wearing style available Autumn 2009.

REMOTE CALL ANSWERING

Automatically answer a call by pressing a button on the headset.

37818-01
APS-10



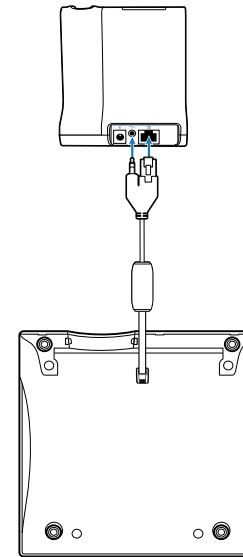
A mechanical headset lifter (HL10™) is available for other telephone models.

60961-31
HL10

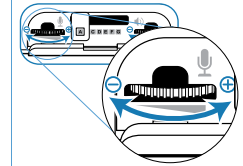
HL10 = Handset lifter



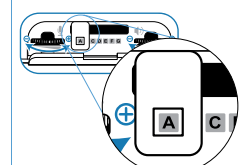
Set Up Information



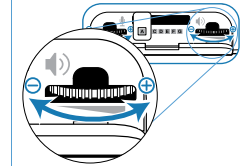
Set desk phone speaking volume to 3



Configuration switch



Set desk phone listening volume to 3



REMOTE CALL ANSWERING

Requires following EHS solution to automatically answer a call by pressing a button on the headset.



38347-01 APS-1

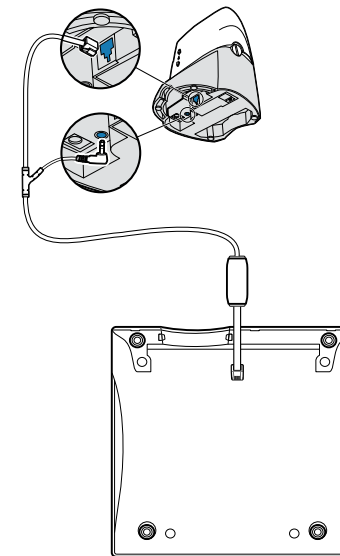
A mechanical headset lifter (HL10™) is available for other telephone models.

HL10 = Handset lifter

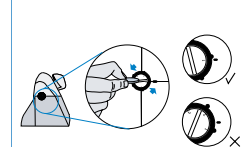


36390-14 HL10

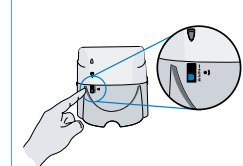
Set Up Information



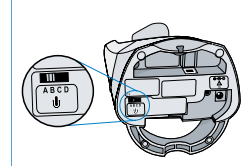
Set rotary switch to 1



Set rear slide switch to 3



Set bottom slide switch to B





ELECTRONIC HOOK SWITCH

DESKPHONES

794X Series

7942G
7945G



796X Series

7962G
7965G



797X Series

7970G
7975G



CS60/CS70N/Voyager 510S/SupraPlus Wireless

Order Information



Plantronics Voyager™ 510 System

Office and Mobile phone usage

Use one headset for calls both in and out of the office with a noise cancelling microphone.



72272-04 NC with WindSmart™



CS70N™ Wireless

Stylish and discreet

Combining the excellent sound quality and range of DECT™ with the design edge of a mobile headset.



39448-01 NC

39449-01 NC with HL10



CS60™ Wireless

Flexible, cost effective and convenient

Cost-effective wireless headset with a choice of wearing styles.



36995-10 NC

39159-11 NC with HL10



SupraPlus® Wireless

All-day wearing comfort

For intensive phone users – the ultimate comfort and sound quality.



39986-01 Monaural NC

39261-01 Binaural NC

39987-01 Monaural NC with HL10

39263-01 Binaural NC with HL10

Savi Office

Order Information



Savi™ Office

Designed for seamless communication
Next generation of wireless headsets to maximise collaboration through multiple devices.

79957-02 (over-the-ear)

79956-02 (convertible)

* Over-the-ear wearing style available Autumn 2009.

REMOTE CALL ANSWERING

Automatically answer a call by pressing a button on the headset.

38350-01
APC-40



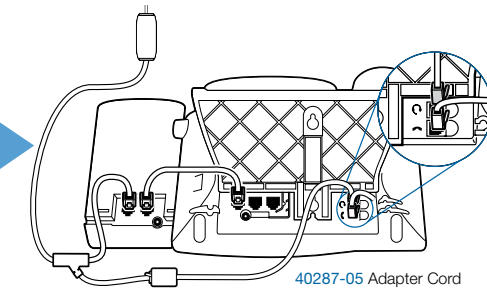
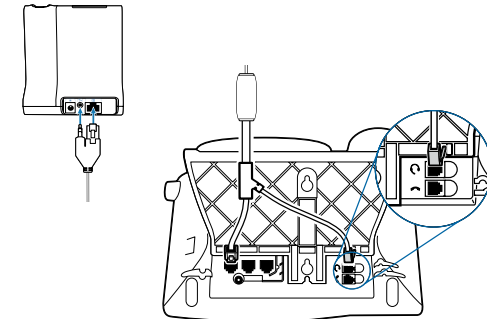
A mechanical headset lifter (HL10™) is available for other telephone models.

60961-31
HL10

HL10 =
Handset lifter

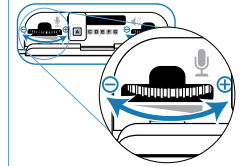


Set Up Information

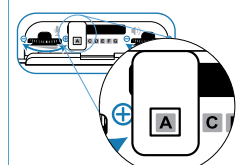


40287-05 Adapter Cord

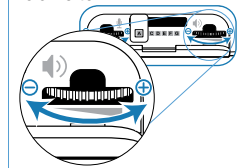
Set desk phone speaking volume to 3



Configuration switch



Set desk phone listening volume to 2



Order Information



Plantronics Voyager™ 510 System

Office and Mobile phone usage

Use one headset for calls both in and out of the office with a noise cancelling microphone.



72272-04 NC with WindSmart™



CS70N™ Wireless

Stylish and discreet

Combining the excellent sound quality and range of DECT™ with the design edge of a mobile headset.



39448-01 NC

39449-01 NC with HL10



CS60™ Wireless

Flexible, cost effective and convenient

Cost-effective wireless headset with a choice of wearing styles.



36995-10 NC

39159-11 NC with HL10



SupraPlus® Wireless

All-day wearing comfort

For intensive phone users – the ultimate comfort and sound quality.



39986-01 Monaural NC

39261-01 Binaural NC

39987-01 Monaural NC with HL10

39263-01 Binaural NC with HL10

REMOTE CALL ANSWERING

Requires following EHS solution to automatically answer a call by pressing a button on the headset.



37978-01 APC-4

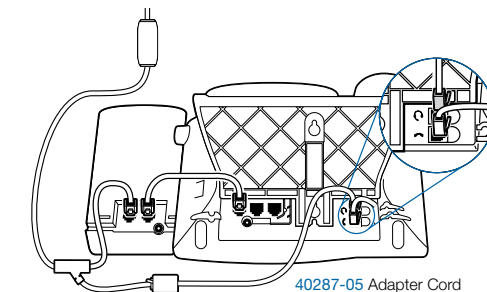
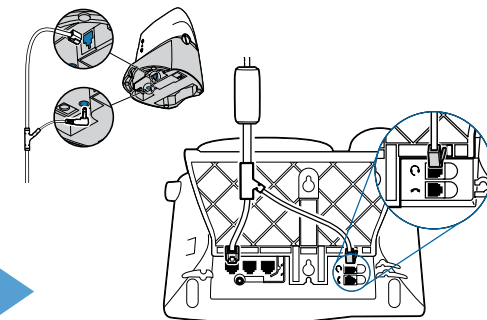
A mechanical headset lifter (HL10™) is available for other telephone models.

HL10 = Handset lifter



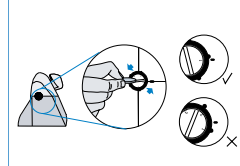
36390-14 HL10

Set Up Information

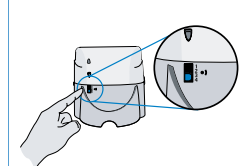


40287-05 Adapter Cord

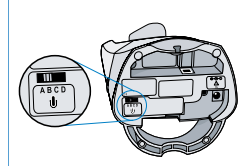
Set rotary switch to 1



Set rear slide switch to 3



Set bottom slide switch to B



ELECTRONIC HOOK SWITCH

DESKPHONES

Funkwerk
CS410
CS410-U
IP-S400



CS60/CS70N/Voyager 510S/SupraPlus Wireless

Order Information



Plantronics Voyager™ 510 System
Office and Mobile phone usage
Use one headset for calls both in and out of the office with a noise cancelling microphone.

Bluetooth

72272-04 NC with WindSmart™



CS70N™ Wireless
Stylish and discreet
Combining the excellent sound quality and range of DECT™ with the design edge of a mobile headset.

39448-01 NC
39449-01 NC with HL10



CS60™ Wireless
Flexible, cost effective and convenient
Cost-effective wireless headset with a choice of wearing styles.

36995-10 NC
39159-11 NC with HL10



SupraPlus® Wireless
All-day wearing comfort
For intensive phone users – the ultimate comfort and sound quality.

39986-01 Monaural NC
39261-01 Binaural NC
39987-01 Monaural NC with HL10
39263-01 Binaural NC with HL10

Savi Office

Order Information



Savi™ Office
Designed for seamless communication
Next generation of wireless headsets to maximise collaboration through multiple devices.

79957-02 (over-the-ear)
79956-02 (convertible)

* Over-the-ear wearing style available Autumn 2009.

REMOTE CALL ANSWERING

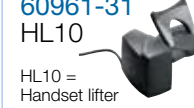
Automatically answer a call by pressing a button on the headset.

37818-01
APS-10



A mechanical headset lifter (HL10™) is available for other telephone models.

60961-31
HL10



HL10 = Handset lifter

REMOTE CALL ANSWERING

Requires following EHS solution to automatically answer a call by pressing a button on the headset.



38347-01 APS-1

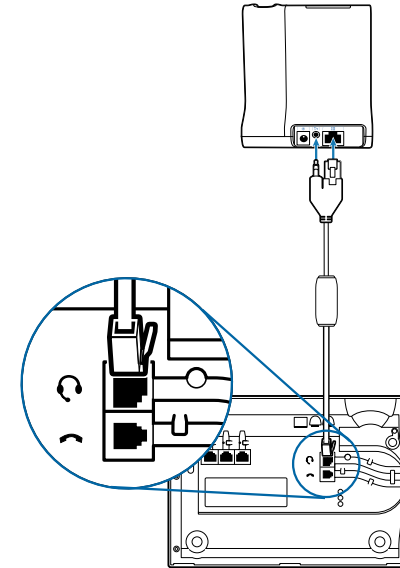
A mechanical headset lifter (HL10™) is available for other telephone models.

HL10 = Handset lifter

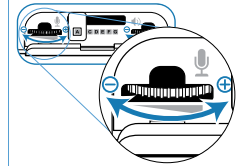


36390-14 HL10

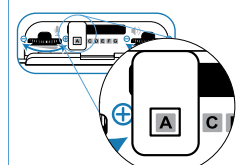
Set Up Information



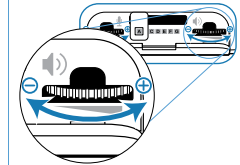
Set desk phone speaking volume to 3



Configuration switch



Set desk phone listening volume to 3



Order Information



Plantronics Voyager™ 510 System
Office and Mobile phone usage
Use one headset for calls both in and out of the office with a noise cancelling microphone.

Bluetooth

72272-04 NC with WindSmart™



CS70N™ Wireless
Stylish and discreet
Combining the excellent sound quality and range of DECT™ with the design edge of a mobile headset.

39448-01 NC
39449-01 NC with HL10



CS60™ Wireless
Flexible, cost effective and convenient
Cost-effective wireless headset with a choice of wearing styles.

36995-10 NC
39159-11 NC with HL10



SupraPlus® Wireless
All-day wearing comfort
For intensive phone users – the ultimate comfort and sound quality.

39986-01 Monaural NC
39261-01 Binaural NC
39987-01 Monaural NC with HL10
39263-01 Binaural NC with HL10

Savi Office

Order Information



Savi™ Office
Designed for seamless communication
Next generation of wireless headsets to maximise collaboration through multiple devices.

79957-02 (over-the-ear)
79956-02 (convertible)

* Over-the-ear wearing style available Autumn 2009.

REMOTE CALL ANSWERING

Automatically answer a call by pressing a button on the headset.

37818-01
APS-10



A mechanical headset lifter (HL10™) is available for other telephone models.

60961-31
HL10



HL10 = Handset lifter

REMOTE CALL ANSWERING

Requires following EHS solution to automatically answer a call by pressing a button on the headset.



38347-01 APS-1

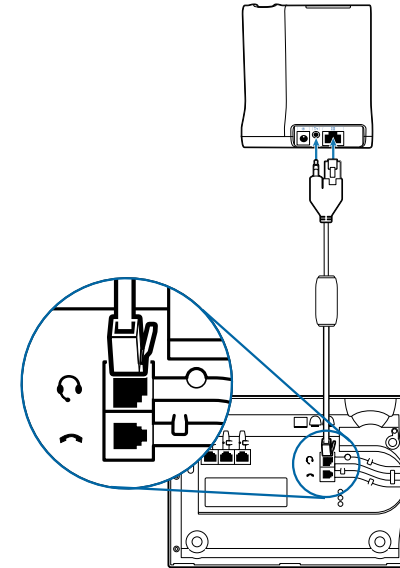
A mechanical headset lifter (HL10™) is available for other telephone models.

HL10 = Handset lifter

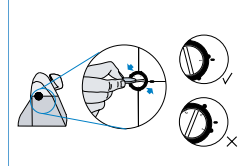


36390-14 HL10

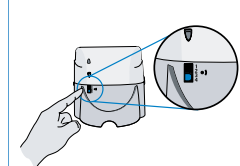
Set Up Information



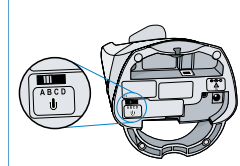
Set rotary switch to 1



Set rear slide switch to 3



Set bottom slide switch to B



ELECTRONIC HOOK SWITCH

DESKPHONES

SoundPoint

- 320
- 330
- 550
- 560
- 650
- 670

SoundPoint IP 320 and 330 require 2.5mm to RJ-9 converter cable to connect to the headset port.



Savi Office

Order Information



Savi™ Office
Designed for seamless communication
 Next generation of wireless headsets to maximise collaboration through multiple devices.
79957-02 (over-the-ear)
79956-02 (convertible)

* Over-the-ear wearing style available Autumn 2009.

REMOTE CALL ANSWERING

Automatically answer a call by pressing a button on the headset.

38439-01
APP-50



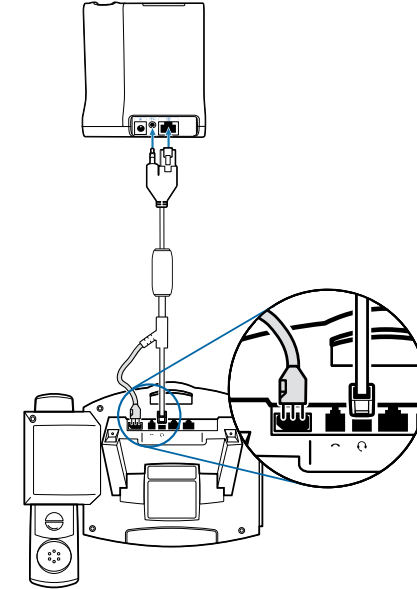
A mechanical headset lifter (HL10™) is available for other telephone models.

60961-31
HL10

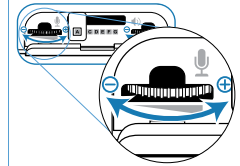
HL10 =
 Handset lifter



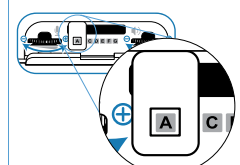
Set Up Information



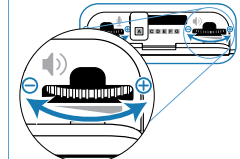
Set desk phone speaking volume to 3



Configuration switch



Set desk phone listening volume to 3



CS60/CS70N/Voyager 510S/SupraPlus Wireless

Order Information



Plantronics Voyager™ 510 System

Office and Mobile phone usage

Use one headset for calls both in and out of the office with a noise cancelling microphone.

Bluetooth



72272-04 NC with WindSmart™



CS70N™ Wireless

Stylish and discreet

Combining the excellent sound quality and range of DECT™ with the design edge of a mobile headset.

39448-01 NC

39449-01 NC with HL10



CS60™ Wireless

Flexible, cost effective and convenient

Cost-effective wireless headset with a choice of wearing styles.

36995-10 NC

39159-11 NC with HL10



SupraPlus® Wireless

All-day wearing comfort

For intensive phone users – the ultimate comfort and sound quality.

39986-01 Monaural NC

39261-01 Binaural NC

39987-01 Monaural NC with HL10

39263-01 Binaural NC with HL10



REMOTE CALL ANSWERING

Requires following EHS solution to automatically answer a call by pressing a button on the headset.



38438-01 APP-5

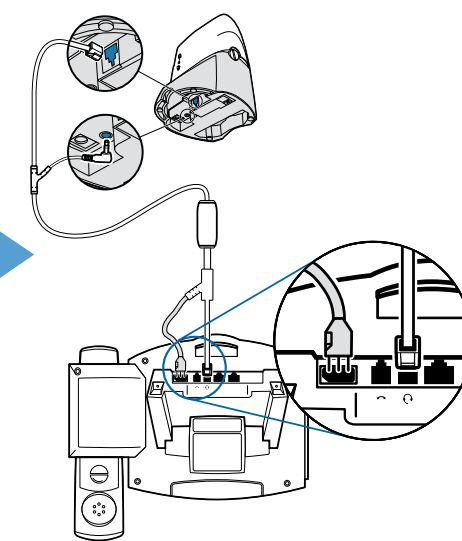
A mechanical headset lifter (HL10™) is available for other telephone models.

HL10 = Handset lifter

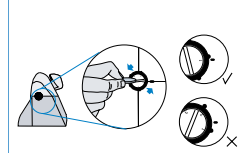


36390-14 HL10

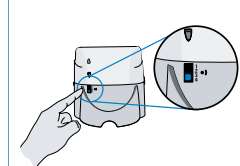
Set Up Information



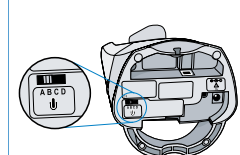
Set rotary switch to 1



Set rear slide switch to 3



Set bottom slide switch to B



SIEMENS

ELECTRONIC HOOK SWITCH

DESKPHONES

optiPoint

- 410 with Acoustic Adapter System Requirements: HiPath 500 => Rel. 5.0
- 420 with Acoustic Adapter HiPath 1220 => Rel. 2.1 build 032
- 500 with Acoustic Adapter HiPath 2000 => Rel. 1.0
- 600 with Acoustic Adapter HiPath 3000 => Rel. 4.0 SMR-07
- HiPath 4000 => Rel. 1.0



EHS support is not provided on Siemens Realitis Systems, for this system HL10 should be used.

Savi Office

Order Information



Savi™ Office
Designed for seamless communication
 Next generation of wireless headsets to maximise collaboration through multiple devices.
79957-02 (over-the-ear)
79956-02 (convertible)

* Over-the-ear wearing style available Autumn 2009.

REMOTE CALL ANSWERING

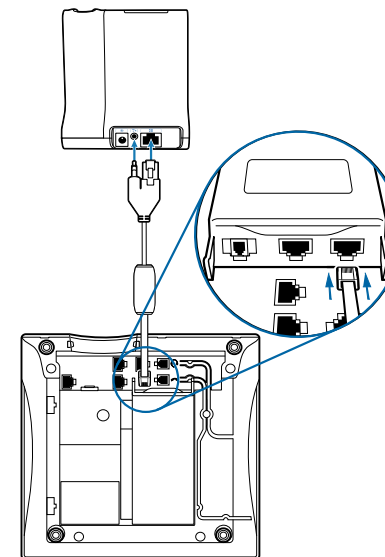
Automatically answer a call by pressing a button on the headset.
37818-01
APS-10

+Acoustic Adapter (supplied by Siemens)

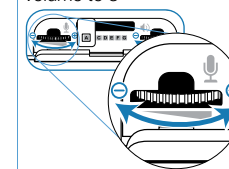
A mechanical headset lifter (HL10™) is available for other telephone models.

60961-31
HL10
 HL10 = Handset lifter

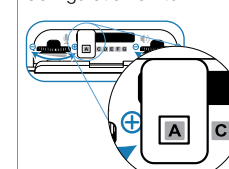
Set Up Information



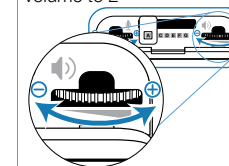
Set desk phone speaking volume to 3



Configuration switch



Set desk phone listening volume to 2



CS60/CS70N/Voyager 510S/SupraPlus Wireless

Order Information



Plantronics Voyager™ 510 System

Office and Mobile phone usage

Use one headset for calls both in and out of the office with a noise cancelling microphone.

Bluetooth



72272-04 NC with WindSmart™



CS70N™ Wireless

Stylish and discreet
 Combining the excellent sound quality and range of DECT™ with the design edge of a mobile headset.

39448-01 NC
39449-01 NC with HL10



CS60™ Wireless

Flexible, cost effective and convenient
 Cost-effective wireless headset with a choice of wearing styles.

36995-10 NC
39159-11 NC with HL10



SupraPlus® Wireless

All-day wearing comfort
 For intensive phone users – the ultimate comfort and sound quality.

39986-01 Monaural NC
39261-01 Binaural NC
39987-01 Monaural NC with HL10
39263-01 Binaural NC with HL10



REMOTE CALL ANSWERING

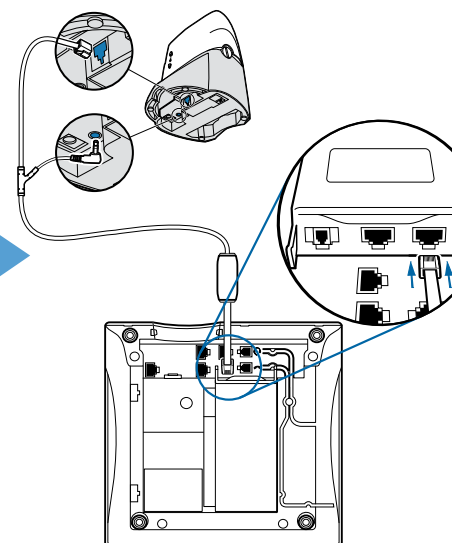
Requires following EHS solution to automatically answer a call by pressing a button on the headset.

38347-01
APS-1
 + Acoustic Adapter (supplied by Siemens)

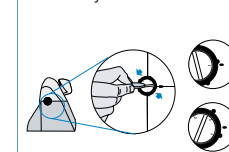
A mechanical headset lifter (HL10™) is available for other telephone models.
 HL10 = Handset lifter

36390-14 HL10

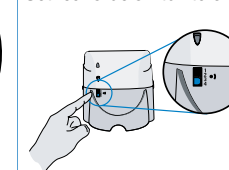
Set Up Information



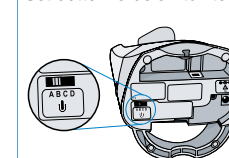
Set rotary switch to 1



Set rear slide switch to 3



Set bottom slide switch to B



SIEMENS

ELECTRONIC HOOK SWITCH

DESKPHONES

Openstage

40
60
80



Savi Office

Order Information



Savi™ Office
Designed for seamless communication
Next generation of wireless headsets to maximise collaboration through multiple devices.
79957-02 (over-the-ear)
79956-02 (convertible)

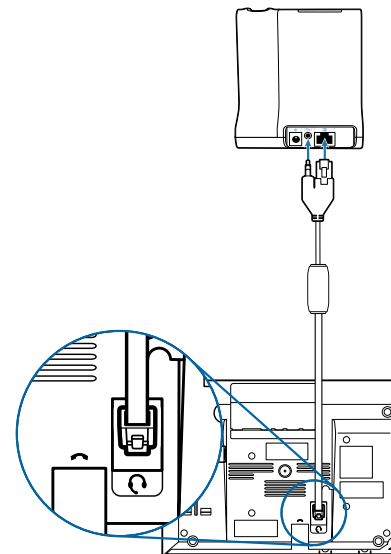
* Over-the-ear wearing style available Autumn 2009.

REMOTE CALL ANSWERING

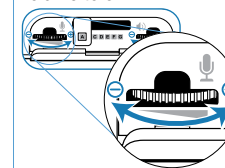
Requires following EHS solution to automatically answer a call by pressing a button on the headset.

37818-01
APS-10

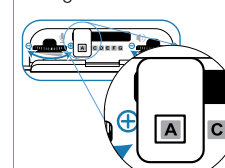
Set Up Information



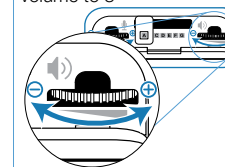
Set desk phone speaking volume to 3



Configuration switch



Set desk phone listening volume to 3



CS60/CS70N/Voyager 510S/SupraPlus Wireless

Order Information



Plantronics Voyager™ 510 System
Office and Mobile phone usage
Use one headset for calls both in and out of the office with a noise cancelling microphone.
Bluetooth™
72272-04 NC with WindSmart™



CS70N™ Wireless
Stylish and discreet
Combining the excellent sound quality and range of DECT™ with the design edge of a mobile headset.
39448-01 NC
39449-01 NC with HL10



CS60™ Wireless
Flexible, cost effective and convenient
Cost-effective wireless headset with a choice of wearing styles.
36995-10 NC
39159-11 NC with HL10



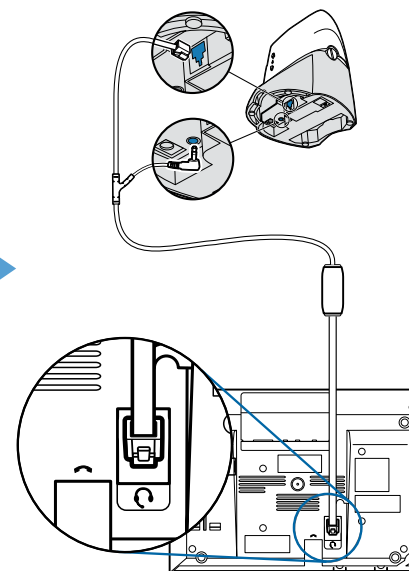
SupraPlus® Wireless
All-day wearing comfort
For intensive phone users – the ultimate comfort and sound quality.
39986-01 Monaural NC
39261-01 Binaural NC
39987-01 Monaural NC with HL10
39263-01 Binaural NC with HL10

REMOTE CALL ANSWERING

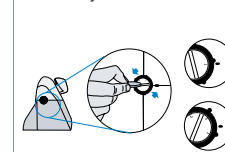
Requires following EHS solution to automatically answer a call by pressing a button on the headset.

38347-01 APS-1

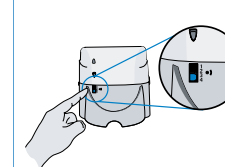
Set Up Information



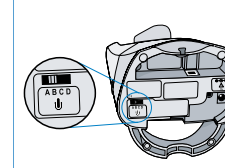
Set rotary switch to 1



Set rear slide switch to 3



Set bottom slide switch to B



ELECTRONIC HOOK SWITCH

DESKPHONES

Snom

320
360
370



CS60/CS70N/SupraPlus Wireless

Order Information



CS60™ Wireless
Flexible, cost effective and convenient
Cost-effective wireless headset with a choice of wearing styles.

36995-10 NC
39159-11 NC with HL10



CS70N™ Wireless
Stylish and discreet
Combining the excellent sound quality and range of DECT™ with the design edge of a mobile headset.

39448-01 NC
39449-01 NC with HL10



SupraPlus® Wireless
All-day wearing comfort
For intensive phone users – the ultimate comfort and sound quality.

39986-01 Monaural NC
39261-01 Binaural NC
39987-01 Monaural NC with HL10
39263-01 Binaural NC with HL10



REMOTE CALL ANSWERING



Wireless headset adapter
[Order from Snom](#)

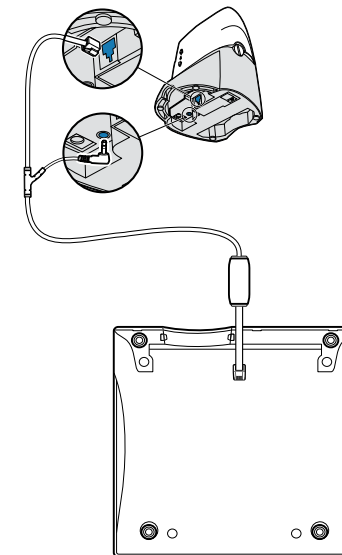
A mechanical headset lifter (HL10) is available for other telephone models.

HL10 = Handset lifter

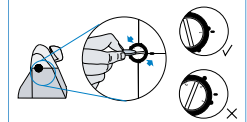


36390-14 HL10

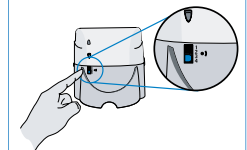
Set Up Information



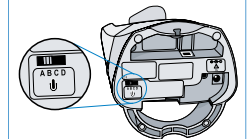
Set rotary switch to 1



Set rear slide switch to 3



Set bottom slide switch to B



ELECTRONIC HOOK SWITCH

DESKPHONES

Octophon

- F20 with Acoustic Adapter
- F30 with Acoustic Adapter
- F40 with Acoustic Adapter
- F50 with Acoustic Adapter



Savi Office

Order Information



Savi™ Office
Designed for seamless communication
Next generation of wireless headsets to maximise collaboration through multiple devices.
79957-02 (over-the-ear)
79956-02 (convertible)

* Over-the-ear wearing style available Autumn 2009.

REMOTE CALL ANSWERING

Automatically answer a call by pressing a button on the headset.

37818-01
APS-10



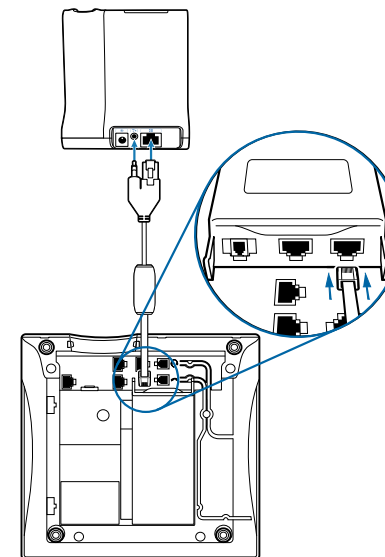
A mechanical headset lifter (HL10™) is available for other telephone models.

60961-31
HL10

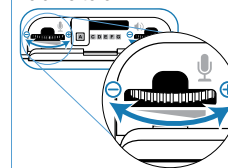
HL10 = Handset lifter



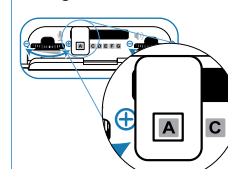
Set Up Information



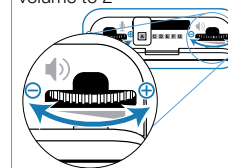
Set desk phone speaking volume to 3



Configuration switch



Set desk phone listening volume to 2



CS60/CS70N/Voyager 510S/SupraPlus Wireless

Order Information



Plantronics Voyager™ 510 System

Office and Mobile phone usage

Use one headset for calls both in and out of the office with a noise cancelling microphone.

Bluetooth



72272-04 NC with WindSmart™



CS70N™ Wireless

Stylish and discreet
Combining the excellent sound quality and range of DECT™ with the design edge of a mobile headset.

39448-01 NC
39449-01 NC with HL10



CS60™ Wireless

Flexible, cost effective and convenient
Cost-effective wireless headset with a choice of wearing styles.

36995-10 NC
39159-11 NC with HL10



SupraPlus® Wireless

All-day wearing comfort
For intensive phone users – the ultimate comfort and sound quality.

39986-01 Monaural NC
39261-01 Binaural NC
39987-01 Monaural NC with HL10
39263-01 Binaural NC with HL10



REMOTE CALL ANSWERING

Requires following EHS solution to automatically answer a call by pressing a button on the headset.



38347-01 APS-1

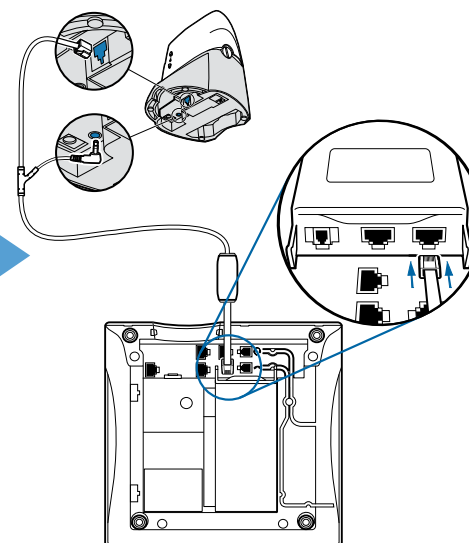
A mechanical headset lifter (HL10™) is available for other telephone models.

HL10 = Handset lifter

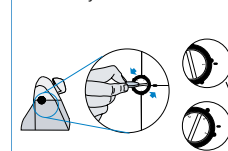


36390-14 HL10

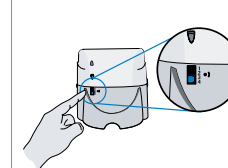
Set Up Information



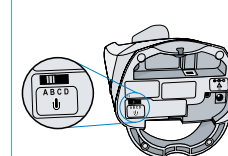
Set rotary switch to 1



Set rear slide switch to 3



Set bottom slide switch to B



ELECTRONIC HOOK SWITCH

DESKPHONES

- System F900 with Acoustic Adapter
- System F20 with Acoustic Adapter
- System F30 with Acoustic Adapter
- System F40 with Acoustic Adapter



CS60/CS70N/Voyager 510S/SupraPlus Wireless

Order Information

Plantronics Voyager™ 510 System
Office and Mobile phone usage
Use one headset for calls both in and out of the office with a noise cancelling microphone.

Bluetooth

72272-04 NC with WindSmart™

CS70N™ Wireless
Stylish and discreet
Combining the excellent sound quality and range of DECT™ with the design edge of a mobile headset.

39448-01 NC
39449-01 NC with HL10

CS60™ Wireless
Flexible, cost effective and convenient
Cost-effective wireless headset with a choice of wearing styles.

36995-10 NC
39159-11 NC with HL10

SupraPlus® Wireless
All-day wearing comfort
For intensive phone users – the ultimate comfort and sound quality.

39986-01 Monaural NC
39261-01 Binaural NC
39987-01 Monaural NC with HL10
39263-01 Binaural NC with HL10

Savi Office

Order Information

Savi™ Office
Designed for seamless communication
Next generation of wireless headsets to maximise collaboration through multiple devices.

79957-02 (over-the-ear)
79956-02 (convertible)

* Over-the-ear wearing style available Autumn 2009.

REMOTE CALL ANSWERING

Automatically answer a call by pressing a button on the headset.

37818-01
APS-10

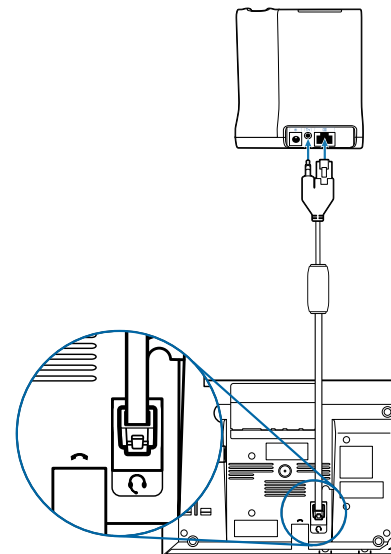
A mechanical headset lifter (HL10™) is available for other telephone models.

60961-31
HL10

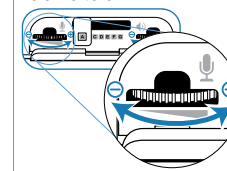
HL10 = Handset lifter



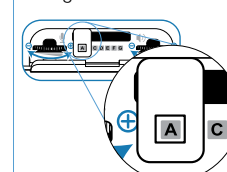
Set Up Information



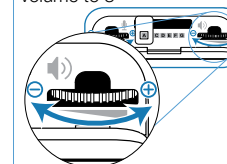
Set desk phone speaking volume to 3



Configuration switch



Set desk phone listening volume to 3



REMOTE CALL ANSWERING

Requires following EHS solution to automatically answer a call by pressing a button on the headset.



38347-01 APS-1

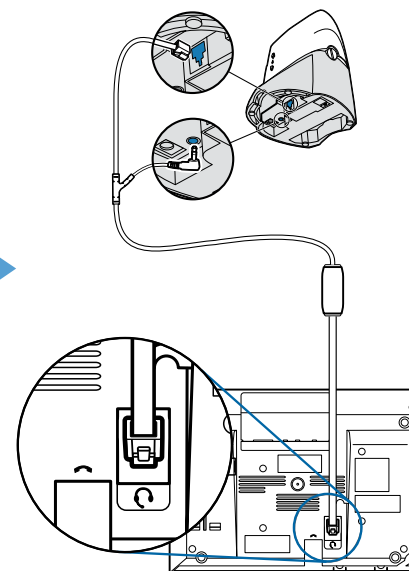
A mechanical headset lifter (HL10™) is available for other telephone models.

HL10 = Handset lifter

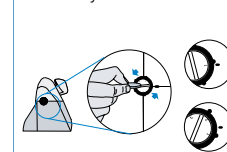


36390-14 HL10

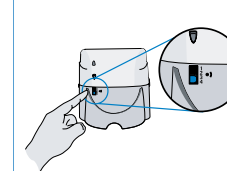
Set Up Information



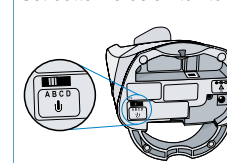
Set rotary switch to 1



Set rear slide switch to 3



Set bottom slide switch to B



ELECTRONIC HOOK SWITCH

DESKPHONES

Tiptel

85 System (works with PABX Family Tiptel 3011/22 system/office)
274
275



Savi Office

Order Information



Savi™ Office
Designed for seamless communication
Next generation of wireless headsets to maximise collaboration through multiple devices.
79957-02 (over-the-ear)
79956-02 (convertible)

* Over-the-ear wearing style available Autumn 2009.

REMOTE CALL ANSWERING

Automatically answer a call by pressing a button on the headset.

37818-01
APS-10



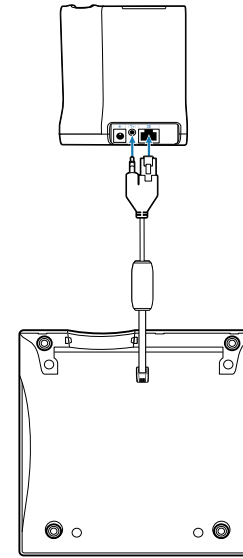
A mechanical headset lifter (HL10™) is available for other telephone models.

60961-31
HL10

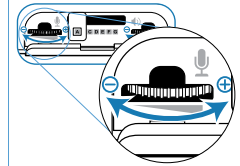
HL10 = Handset lifter



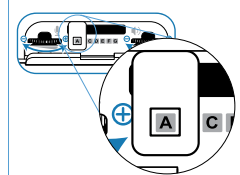
Set Up Information



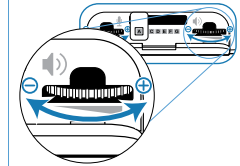
Set desk phone speaking volume to 3



Configuration switch



Set desk phone listening volume to 2



CS60/CS70N/Voyager 510S/SupraPlus Wireless

Order Information



Plantronics Voyager™ 510 System

Office and Mobile phone usage

Use one headset for calls both in and out of the office with a noise cancelling microphone.

Bluetooth



72272-04 NC with WindSmart™



CS70N™ Wireless

Stylish and discreet

Combining the excellent sound quality and range of DECT™ with the design edge of a mobile headset.

39448-01 NC

39449-01 NC with HL10



CS60™ Wireless

Flexible, cost effective and convenient

Cost-effective wireless headset with a choice of wearing styles.

36995-10 NC

39159-11 NC with HL10



SupraPlus® Wireless

All-day wearing comfort

For intensive phone users – the ultimate comfort and sound quality.

39986-01 Monaural NC

39261-01 Binaural NC

39987-01 Monaural NC with HL10

39263-01 Binaural NC with HL10



REMOTE CALL ANSWERING

Requires following EHS solution to automatically answer a call by pressing a button on the headset.



38347-01 APS-1

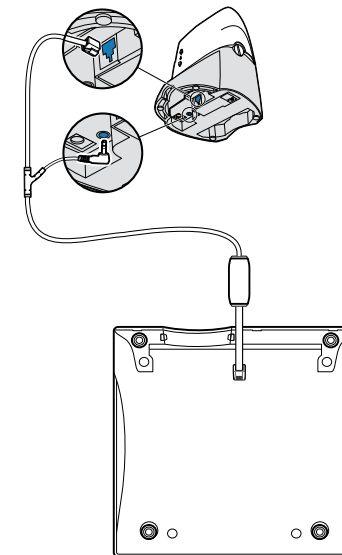
A mechanical headset lifter (HL10™) is available for other telephone models.

HL10 = Handset lifter

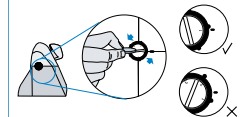


36390-14 HL10

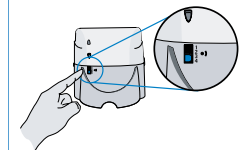
Set Up Information



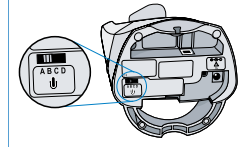
Set rotary switch to 1



Set rear slide switch to 3



Set bottom slide switch to B





www.plantronics.com

Plantronics Ltd
Wootton Bassett, UK
0800 410014
+44 (0)1793 842200

©2009 Plantronics, Inc. All rights reserved. Plantronics, the logo design, .Audio, CS60, CS70N, DA45, HL10, Plantronics Voyager, Savi, SupraPlus and Sound Innovation are trademarks or registered trademarks of Plantronics, Inc. The Bluetooth® word mark and logos are owned by the Bluetooth SIG, Inc. and any use of such marks by Plantronics is under licence. All other trademarks are property of their respective owners.

× Exit

◀◀ Back to Index

◀ Previous | Next ▶